

SFP25660

Single Valve Controller



Function

- The SFP25660 is a packaged control module designed to remotely operate the Source Fluid Power Motorized Control valves that are equipped with internal feedback (FB) option.
- The die cast aluminum housing contains the PEM-DMC controller, the command potentiometer, a panel mount fuse holder, strain reliefs for connecting cables and a lighted rocker switch. 1/4-20 mounting studs protrude from each side for easy under dash panel mounting.
- The potentiometer can be equipped with a standard molded plastic knob or a machined aluminum knob equipped with a 10 position detent.

Applications

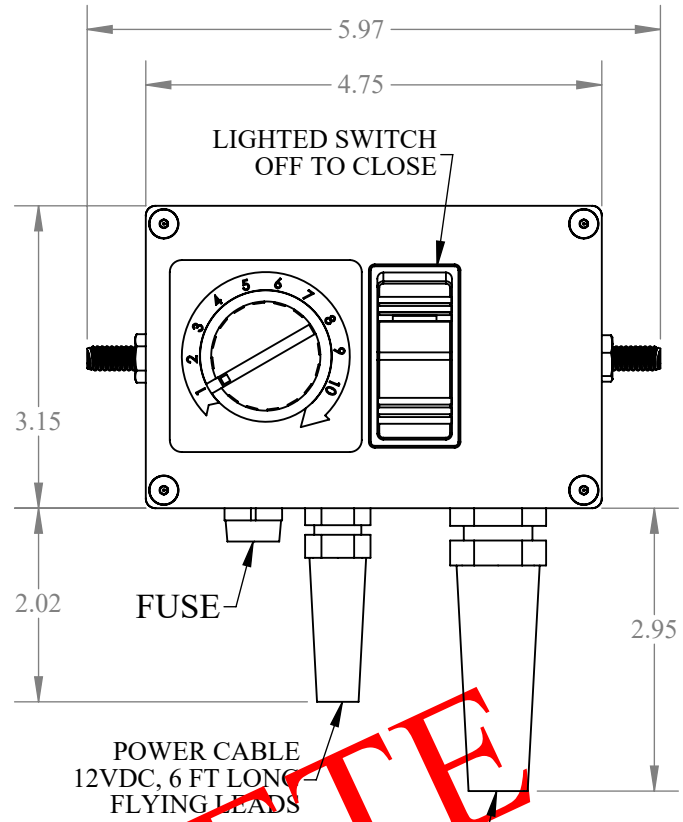
- This package is ideally suited for applications where you want to vary the rate of a hydraulic actuator and start/stop the actuator without having to operate the potentiometer.
- If equipped with a detented knob the operator can make changes on the fly with having to take their eyes off the road. They can feel the amount of change through the detents.

Specifications

- Housing 4.75" wide x 3.15" high x 2.38" deep die cast aluminum
- Supply Voltage , 9-14 VDC
- 20ma steady state when powered at 12 VDC
- Reverse polarity protected
- Internal 2 amp fuse
- Surge voltage battery protection built in
- Operational Temperature, -40° to 185° F (-40° to 85°C)
- Power lead 6 feet long, flying leads
- Motor lead 18 inches long with a 6 pin Weather Pack Shroud Connector
- Lighted rocker switch indicates unit on
- Panel mount fuse holder, twist to release, 3 amp fast acting fuse

How to order

- **SFP25660STD** Plastic 0-10 control knob
- **SFP25660DET** Machined aluminum knob with 10 position detent
- Other options available, consult factory



DIE CAST ALUMINUM ENCLOSURE

