

# SFP26100

Manual Valve Push-Pull  
3-Way, 2-Position

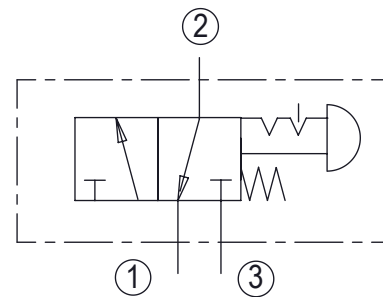


## Function

- Manually-operated directional valve  
Push-pull detented 3-way 2-position.

## Application

- Provides 3-way directional control in hydraulic systems. Panel mount design is ideal for bleed-down of gauge pressures or load-sense pressures on hydraulic test stands and power units.



## Pressure

- 500 PSI maximum at ports 2 and 3
- Consult factory for higher operating pressures.
- 50 psi at port 1

## Flow

- .5 GPM

## Cavity

- Common cavity C08-3

## Media Temperature

- 40° to 100° C

## Internal Leakage

- 1 cubic inch per minute @ 500 psi

## Construction

- Steel, stainless steel, aluminum
- Exposed parts plated

## Available Options

Consult Factory for details

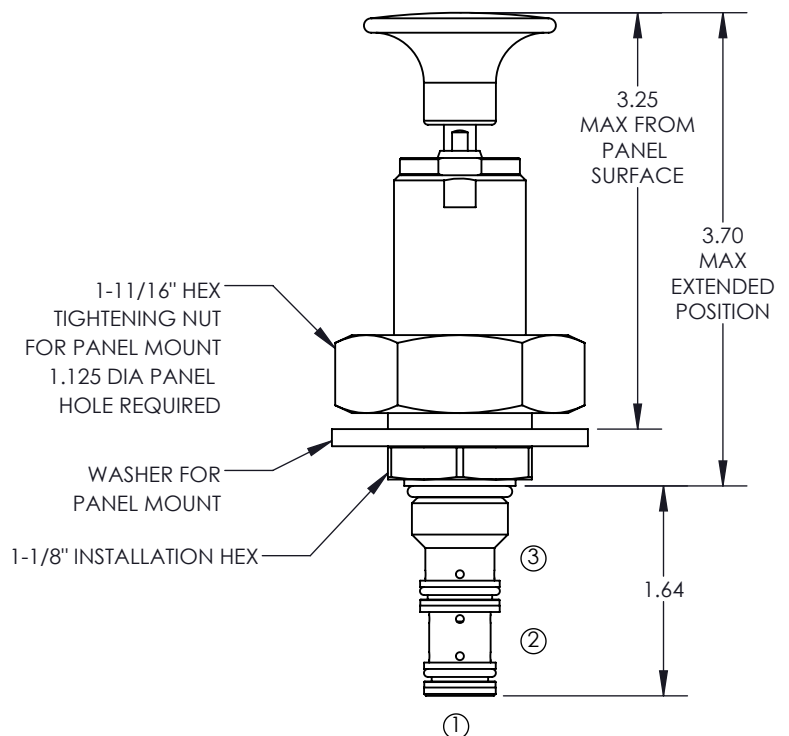
- Line Bodies

## Seal Kit

- SK8-3

## Cartridge Weight

- 0.3 lbs



## HOW TO ORDER:

**SFP26100 - XXXXX**

Model \_\_\_\_\_  
Cartridge only

Line Body Options \_\_\_\_\_  
Consult Factory