

# SFP25859

Pressure Release Valve



**SOURCE**  
FLUID POWER

## Function

- Manually-operated Pressure Release Valve. Turn fully clockwise to close. Turn 1/4 turn counterclockwise to release pressure from both ports 1 and 3, out to port 2.

## Application

- Released trapped residual pressure in a hydraulic system. Ideal for releasing pressure trapped in hydraulic hoses to ease operation of quick-disconnects.

## Pressure

- 3000 PSI maximum

## Flow

- 1 GPM

## Cavity

- Hydraforce VC07-3, Delta Mini 3W

## Media Temperature

- 40° to 100° C

## Leakage

- 1 drop per minute @ 1000 psi

## Construction

- Steel
- Exposed parts plated

## Available Options

Consult Factory for details

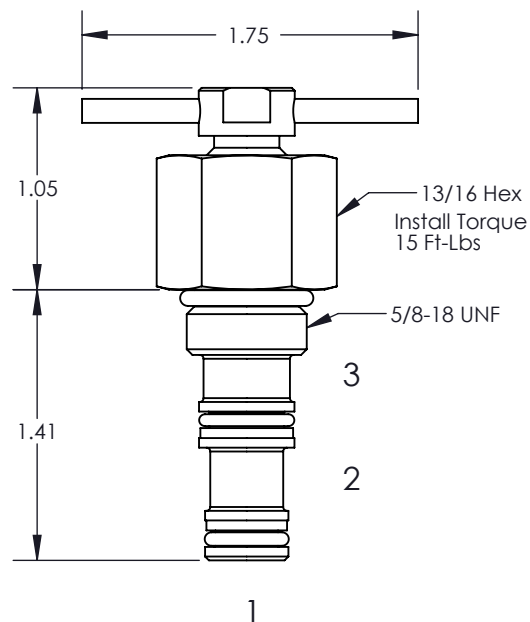
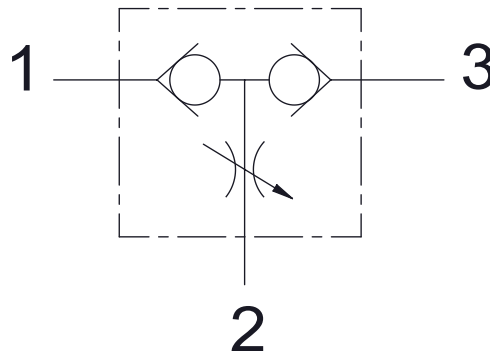
- Line Bodies

## Seal Kit

- SK7-3

## Cartridge Weight

- 0.2 lbs



## HOW TO ORDER:

**SFP25859 - XXXXX**

Model \_\_\_\_\_  
Cartridge only

Line Body Options  
Consult Factory