

HPC16

Manual Flow Regulator Valve



Function

- 3 port, variable orifice, restrictive or bypass type, pressure compensated flow control.
- 90 degree rotation.

Operation

- Maintains a constant flow rate regardless of system pressure changes
- Bypass port can be plugged to create a 2 port restrictive type flow control
- Bypass flow can be used for a secondary function even when bypass pressure is higher than the priority pressure

Operating Pressure

- 3000 psi maximum

Flow Ranges

- 15 0-15 gpm
- 25 0-25 gpm
- 45 0-45 gpm

Construction

- Cage, Body and Spool: Steel, exposed parts plated
- Motor housing assembly: Anodized aluminum
- Standard line bodies are aluminum
- Steel bodies are available upon request

Seal Material

- Buna N and polyurethane standard
- Viton optional

Temperature

- -40 to 120°C

Cavity

- C 16-3 industry common cavity

Valve Installation Torque

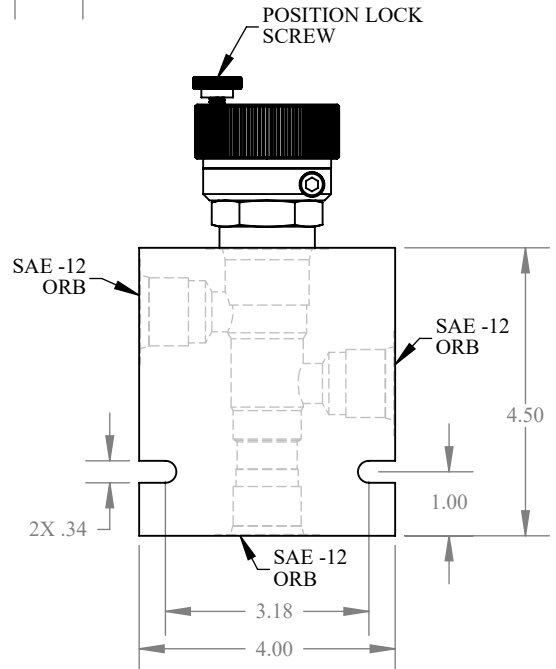
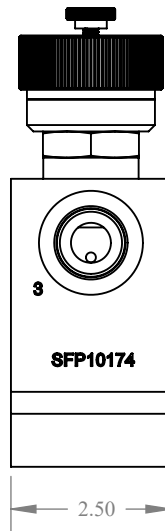
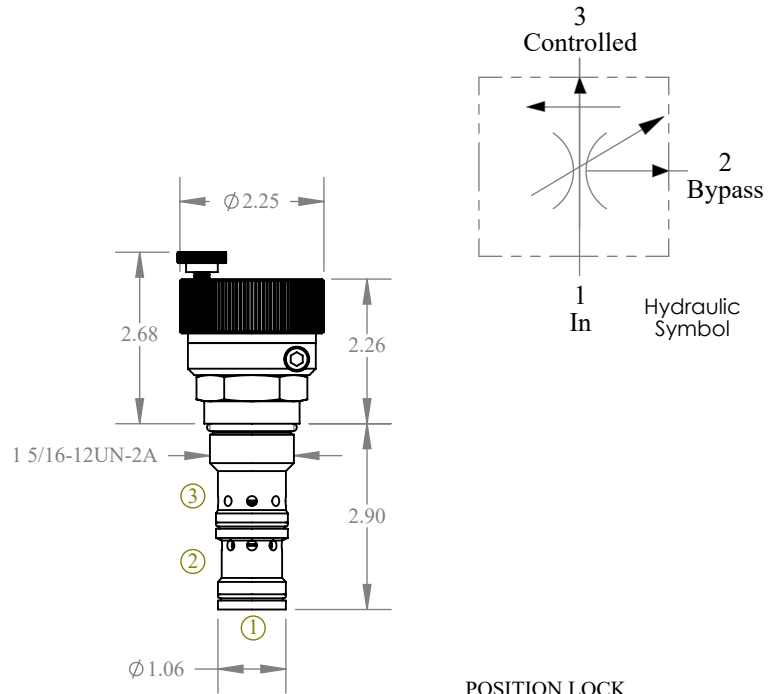
- 65 ft-lbs

Cartridge Weight

- HPC16 cartridge only 1.4 lbs
- HPC16 with aluminum body 5.1 lbs

Seal kit

- SFP25662



HPC16

<p>Flow range: 15 0-15 gpm 25 0-25 gpm 45 0-45 gpm</p>	<p>Line bodies: 10174 SAE-12 ports</p>
--	--