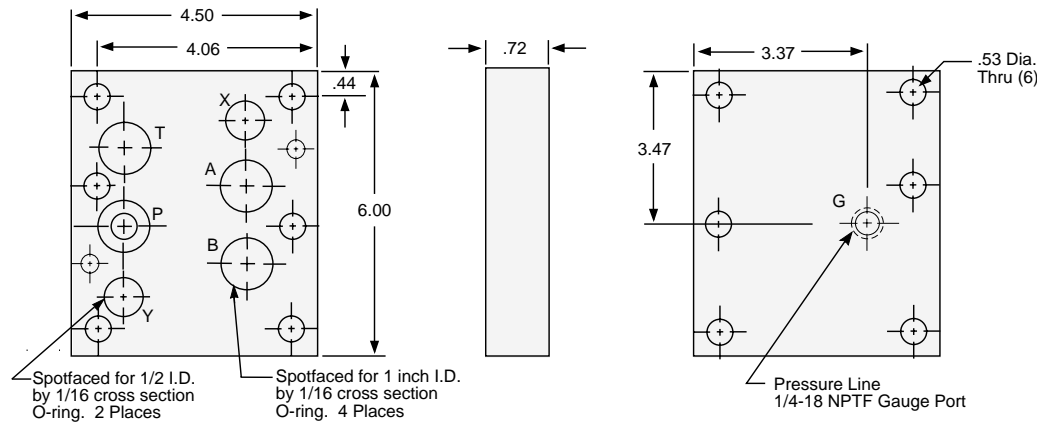
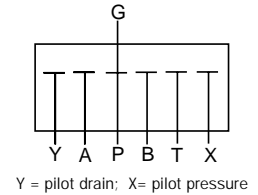


# D08 Cover Plate

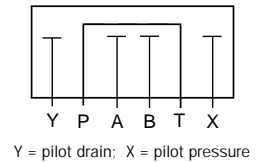
SOURCE SELLS SOLUTIONS.



**Part No. SFP10132**  
with gauge port



**Part No. SFP10133**

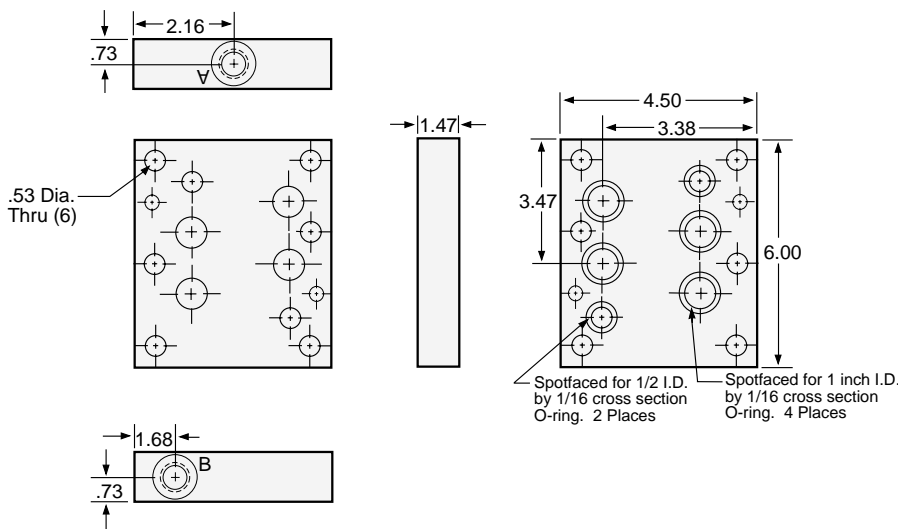


**Pressure Rating:** 3000 psi **Material:** 6061-T6 Aluminum

**Items Furnished with Cover Plate:**

- Six (6) 1/2-13 X 1-1/2 long socket head cap screws (90010)
- Two (2) small Viton O-rings (90003) AS 568A-014
- Four (4) large Viton O-rings (90005) AS 568A-022
- Two (2) Roll Pins (90007)

# D08 Tapping Plate



**Port Size:** 3/4-16 O-ring ports (2) (SAE -8)

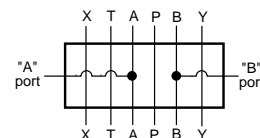
**Pressure Rating:** 3000 psi

**Material:** 6061-T6 Aluminum

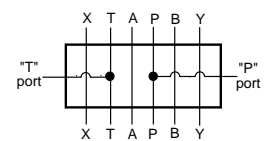
**Items Furnished with Tapping Plate:**

- Two (2) small Viton O-rings (90003) AS 568A-014
- Four (4) large Viton O-rings (90005) AS 568A-022
- Two (2) Roll Pins (90007)

**A & B Ports**  
**Part No. SFP10138**



**P & T Ports**  
**Part No. SFP10139**



# Valve Adaptors

- D03..... To.....D05.....Part Number SFP10140 (A to B, B to A)
- D03..... To.....D05.....Part Number SFP10141 (High Flow A to A, B to B)
- D03..... To.....D08.....Part Number SFP10142
- D05..... To.....D08.....Part Number SFP10143
- D05H... To.....D08.....Part Number SFP10144
- D06..... To.....D08.....Part Number SFP10145
- D07..... To.....D08.....Part Number SFP10146

All adaptors are 6061-T6 Aluminum, Pressure Rating 3000 psi.  
All adaptors come with interface O-rings, mounting screws and alignment pins.