

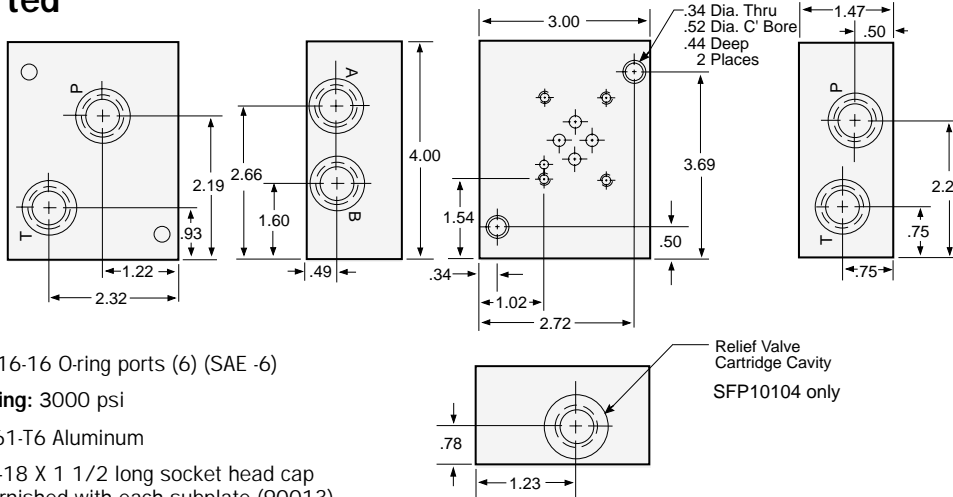
D03 Subplate

SOURCE SELLS SOLUTIONS.



Dual Ported

no relief
Part Number
SFP10103



Dual Ported
with relief valve cavity
Part Number SFP10104

The Relief Valve Cavity is machined to dimensions furnished by the following manufacturers:

Compact Controls	109
Delta	E Series
Fluid Controls	SC-316
Fluid Power Systems	10-2
HydraForce	VC-10-2
Modular Controls	C-10-2
Parker	C-10-2

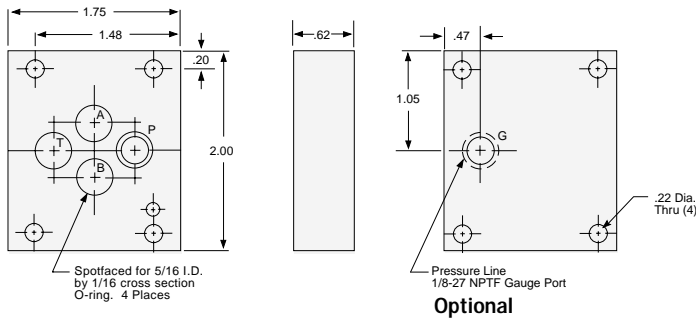
Port Size: 9/16-16 O-ring ports (6) (SAE -6)

Pressure Rating: 3000 psi

Material: 6061-T6 Aluminum

Two (2) 5/16-18 X 1 1/2 long socket head cap screws are furnished with each subplate (90013)

D03 Cover Plates



Parallel

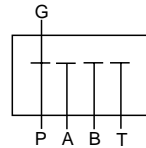
Part Number SFP10089 without gauge port
Part Number SFP10090 with gauge port

Pressure Rating: 3000 psi

Material: 6061-T6 Aluminum

Items Furnished with Cover Plate:

- Four (4) #10-24 X 7/8 long socket head cap screws (90008)
- Four (4) Viton O-rings (90000) AS 568A-011
- One (1) Roll Pin (90006)

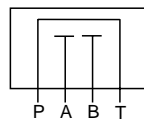


Series

Part Number SFP10091

Pressure Rating: 3000 psi

Material: 6061-T6 Aluminum

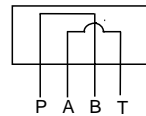


Cross Over

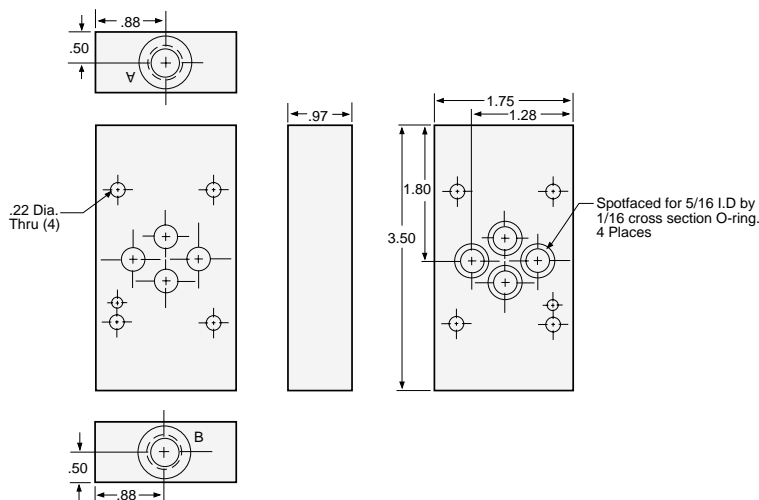
Part Number SFP10092

Pressure Rating: 3000 psi

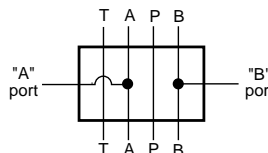
Material: 6061-T6 Aluminum



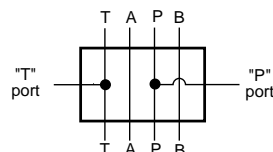
D03 Tapping Plate



Part Number SFP10134



Part Number SFP10135



A & B Ports

Port Size:

- 9/16-18 O-ring ports (2) (SAE -6)

Pressure Rating:

- 3000 psi

Material:

- 6061-T6 Aluminum

Items Furnished with Tapping Plate:

- Four (4) Viton O-rings (90000) AS 568A-011
- One (1) Roll Pin (90006)